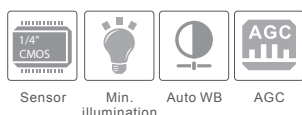


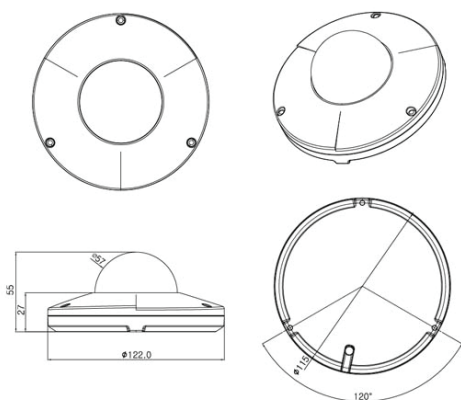
Full HD IP Pancake Dome Camera



Features

- Full HD IP Mega-pixel TDN Pancake Dome Camera
- 1/2.9" Progressive scan CMOS Sensor
- Ultimate High Resolution 1100TV Lines
- Built-in Fixed Mega Pixel Lens (f=3.7mm)
- Max. Full HD(1920x1080)
- TDN(ICR)
- Built-in IR LEDs (12EA) & Sensor 1EA
- 2.0 Mega-Pixel Resolution up to 30 Frames/sec
- Dual Stream H.264/MJPEG Resolution
- Ethernet 10/100 Base-T (PoE)
- 12VDC

Dimensions



Specifications

Model	KB-1050
[Camera]	
Image Sensor	1/2.9" Progressive CMOS Sensor 2.0M pixels
Effective Pixels	1920 (H) x 1080 (V) 2 Mega
Horizontal Resolution	1,100TVL
Lens	Built-in Fixed Mega Pixel Lens (f=3.7mm / F 2.5)
IR LED and Sensor	12EA (850nm, 45°) & Sensor 1EA, Max. 12m
Day & Night System	Supported (TDN & IR LED)
Min. Illumination	0.2Lux (Color, DSS On), 0.00 Lux (IR LED On)
[Video]	
Compression	H.264 / MJPEG
Resolution	1920x1080@30fps
Multi-Profile Streaming	3 Simultaneous video profiles
Intelligent Bit-rate	Hybrid Bit rate control (VBR+CBR)
Image setting	Text overlay, Privacy mask
Motion detection	3 regions
[Network]	
Protocol	IPv4/v6, TCP, UDP, IGMP, ICMP, ICMPv6, ARP, RARP, PPPoE, RTCP, RTP, RTSP, SDP, HTTP, HTTPS, SMTP, FTP, DHCP, UPnP, NTP, DNS, DynDNS, SOCKS
Streaming method	- RTSP streaming with proprietary format for control informations - Standard RTSP streaming / - HTTP streaming
[Alarm/Event]	
Intelligent Video	Motion detection
Alarm Triggers	Intelligent Video
Alarm Events	Video file upload(FTP), Still Image(Email)
Alarm Buffer (Video)	configurable Pre-alarm (5~10 sec) & Post-alarm (10~30 sec)
[Mechanical]	
Support PoE	Standard IEEE 802.3af supported
Power	DC 12V, Max. 5W
Dimensions	122 x 55 mm
Operating Temperature	-10°C ~ 50°C
Weight (Net)	Approx. 400g