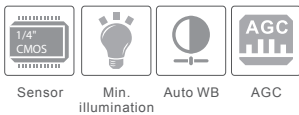


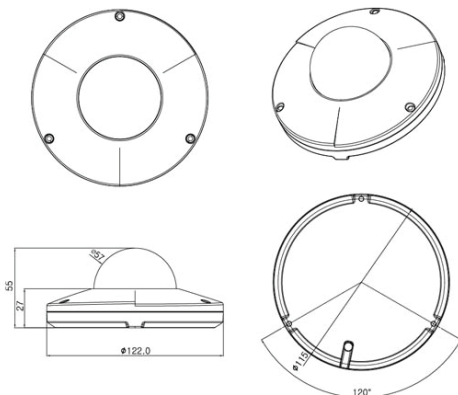
Full HD IP Mega-pixel Pancake Camera



Features

- Full HD IP Mega-pixel Pancake Camera
- 1/2.9" Progressive CMOS Sensor
- Mega Pixel Fixed Lens (f=3.7mm)
- Max. Full HD(1920x1080) up to 30FPS
- TDN(ICR), DSS, WDR
- Up to 5 Simultaneous Multi-Profile Video Streams
- Built-in IR LEDs (12EA) & Sensor 1EA
- Digital PTZ, Video Crop & Support SD card
- Analog Video Output(CVBS) & Alarm I/O
- Onvif Profile S and 2.2x
- Support Two-way Audio (ADPCM)
- Ethernet 10/100 Base-T (PoE)

Dimensions



Specifications

Model	KB-1053
[Camera]	
Image Sensor	1/2.9" Progressive CMOS Sensor
Scanning System	16:9 Progressive
Effective Pixels Number	1920(H) x 1080(V) 2.0 Mega
Horizontal Resolution	1100 TV Lines
Video Output Level	Select NTSC/PAL 1.0Vp-p (BNC 75Ω, composite)
Lens	Built-in Mega Pixel Fixed Lens (f=3.7mm)
Day & Night System	ICR (Cds Type)
IR LED and Sensor	12EA & Sensor 1EA
Min. Illumination	0.12Lux (Color), 0 Lux (IR LED On)
DSS	Supported
WDR	Supported
[Video]	
Compression	H.264 / MJPEG
Resolution	Full HD, 720P, 4CIF, VGA, CIF, Crop
Multi-Profile Streaming	5 Simultaneous video profiles
Intelligent Bit-rate	Hybrid Bit rate control (VBR+CBR)
PTZ	Digital PTZ & Video Crop
Image setting	Text overlay, Privacy mask, De-interlace filter
[Network]	
Protocol	IPv4/v6, TCP, UDP, IGMP, ICMP, ICMPv6, ARP, RARP, PPPoE, RTCP, RTP, RTSP, SDP, HTTP, HTTPS, SMTP, FTP, DHCP, UPnP, NTP, DNS, DynDNS, Socks
[External Terminals]	
Analog Output	1 Channel D1 CVBS Output of the encoding video
Alarm	Alarm I/O (1 Sensor input & 1 Relay output)
Other	Mic, Line in / Line Out / 12VDC
[System Integration]	
Alarm Triggers	Sensor Input
Alarm Events	Video file upload(FTP), Still image(Email), PTZ preset,
Video Buffer	Pre & Post alarm
[Mechanical]	
Standard PoE	Standard IEEE 802.3af supported
Power	DC 12V Max. 1A
Dimensions	122(W) x 55(H) mm
Operating Temperature	-10°C ~ 50°C
Weight	Approx. 400g