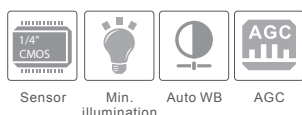


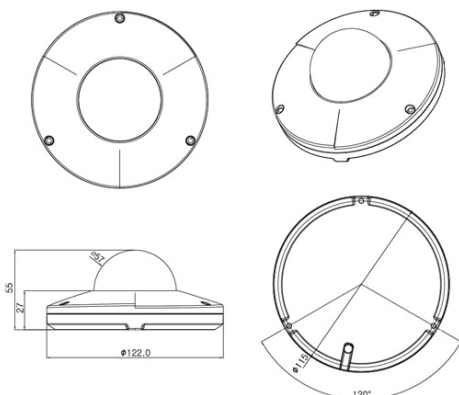
## 5MP Panoramic Pancake



## Features

- Max. 5MP(2592x1944) up to 10FPS
- Focal Length:  
0.98mm (Short axis) 1.12mm (Long axis)
- Built-in Panomorph Lens (Immervision360°)
- 1/2.5" Progressive CMOS Sensor
- Super Wide Angle of 182° x 360°FOV
- View Modes:  
Single PTZ View, 4 PTZ View in 1 Window,  
Perimeter View in One Window(2x180°)
- 5 Simultaneous Multi-Profile Video Streams
- Support SD card
- Analog Video Output(CVBS) & Alarm I/O
- Onvif Profile S and 2.2x, Two-way Audio (ADPCM)
- Ethernet 10/100 Base-T (PoE)

## Dimensions



## Specifications

Model	KB-1070
<b>[Camera]</b>	
Image Sensor	1/2.5" Progressive CMOS Sensor
Scanning System	16:9 Progressive
Effective Pixels Number	2,592 (H) x 1,994 (V) 5.0 Mega
Video Output Level	Select NTSC/PAL 1.0Vp-p (BNC 75Ω, composite)
Lens	Built-in Panomorph Lens (Immervision 360°), 0.98mm : Short axis / 1.12mm : Long axis
Min. Illumination	0.12Lux (Color)
<b>[Video]</b>	
Compression	H.264 / MJPEG
Resolution	2,592 x 1,944 @ 10fps
Multi-Profile Streaming	5 Simultaneous video profiles
Intelligent Bit-rate	Hybrid Bit rate control (VBR+CBR)
PTZ	Digital PTZ & Video Crop
Image setting	Text overlay, Privacy mask, De-interlace filter
Motion detection	3 regions
<b>[Network]</b>	
Protocol	IPv4/v6, TCP, UDP, IGMP, ICMP, ICMPv6, ARP, RARP, PPPoE, RTCP, RTP, RTSP, SDP, HTTP, HTTPS, SMTP, FTP, DHCP, UPnPP, NTP, DNS, DynDNS, Socks
<b>[External Terminals]</b>	
Analog Output	1 Channel D1 CVBS Output of the encoding video
Alarm	Alarm I/O (1 Sensor input & 1 Relay output)
Other	Mic, Line in / Line Out / 12VDC
<b>[System Integration]</b>	
Alarm Triggers	Sensor Input
Alarm Events	Video file upload(FTP), Still image(Email), PTZ preset, Relay output
Video Buffer	Pre & Post alarm
<b>[Mechanical]</b>	
Standard PoE	Standard IEEE 802.3af supported
Power	DC 12V Max. 1A
Dimensions	122(W) x 55(H) mm
Operating Temp. / Humidity	-10°C ~ 50°C / 8~80% RH
Weight	Approx. 400g