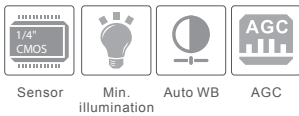


Full HD IP TDN Box Camera

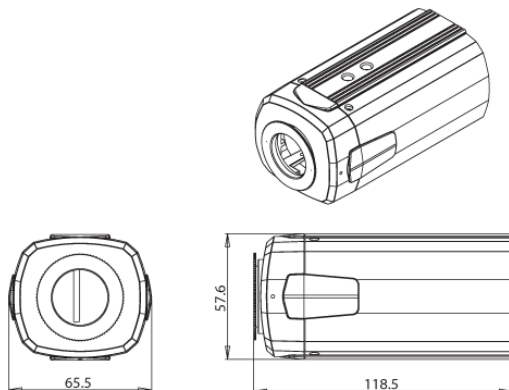
Specifications



Features

- Full HD IP Mega-pixel TDN Box Camera
- 1/2.9" Progressive CMOS Sensor
- Max. Full HD(1920x1080) up to 30FPS
- TDN(ICR), DSS, WDR
- Up to 5 Simultaneous Multi-Profile Video Streams
- Digital PTZ, Video Crop & Support SD card
- Analog Video Output(CVBS) & Alarm I/O
- Onvif Profile S and 2.2x
- Support Two-way Audio (ADPCM)
- Ethernet 10/100 Base-T (PoE)

Dimensions



Model	KB-6050
[Camera]	
Image Sensor	1/2.9" Progressive CMOS Sensor
Scanning System	16:9 Progressive
Effective Pixels Number	1920(H) x 1080(V) 2.0 Mega
Horizontal Resolution	1100 TV Lines
Video Output Level	Select NTSC/PAL 1.0Vp-p (BNC 75Ω, composite)
Lens Mount	CS Mount
Min. Illumination	0.12Lux (Color)
[Video]	
Compression	H.264 / MJPEG
Resolution	Full HD, 720P, 4CIF, VGA, CIF, Crop
Multi-Profile Streaming	* 5 Simultaneous video profile
Intelligent Bit-rate	Hybrid Bit rate control (VBR+CBR)
PTZ	Digital PTZ & Video Crop
Image setting	Text overlay, Privacy mask, De-interlace filter
[Audio]	
Mono Upstream	32Kbps G.726 ADPCM (Line-in / Mic-in)
Mono Downstream	128Kbps 16bit Linear PCM, Line-out(1.0Vp-p)
[Network]	
Protocol	IPv4/v6, TCP, UDP, IGMP, ICMP, ICMPv6, ARP, RARP, PPPoE, RTCP, RTP, RTSP, SDP, HTTP, HTTPS, SMTP, FTP, DHCP, UPnP, NTP, DNS, DynDNS, Socks
[External Terminals]	
Alarm	Alarm I/O (1 Sensor input & 1 Relay output)
Other	Mic, Line in / Line Out / 12VDC
[System Integration]	
Alarm Triggers	Sensor Input
Alarm Events	Video file upload(FTP), Still image(Email), PTZ preset, Relay output
Video Buffer	Pre & Post alarm
[Mechanical]	
Power	DC 12V Max. 0.5A, PoE
Dimensions	71 (W) x 65 (H) x 143.9(D)mm
Operating Temperature	-10°C ~ 50°C
Weight	417.5g