

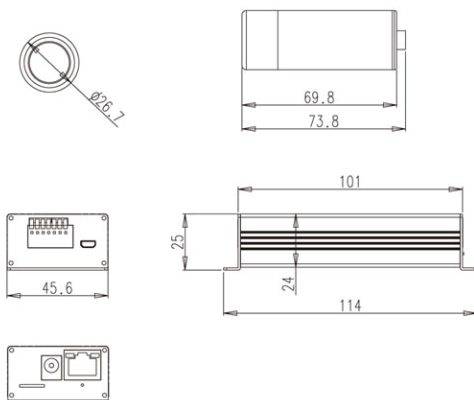
Full HD Lipstick IP Camera



Features

- Full HD Lipstick IP Camera
- 1/2.7" Progressive scan CMOS Sensor
- Dual-Codec (H.264/MJPEG)
- Progressive scan megapixel (2M CMOS)
- Multi profile streaming
(5 different streams per Resolution, Frame, Rate, Codec)
- Digital PTZ, video crop
- Built-in standard PoE
- Two-way audio communication
- Compact design & Easy installation
- IP66 (Camera portion only)

Dimensions



Specifications

Model	KB-NS22
[Camera]	
Image Sensor	Progressive scan 1/2.7 inch CMOS 2.0M pixels
Resolution	1,920 x 1,080 pixels (Full HD)
Min. illumination	Color : 0.12 Lux (F 1.4)
S/N Ratio	39dB or more
White Balance	AWB
DSS	Supported
WDR	Supported
Lens	3.7mm, F2.5
Day & Night	Not Supported
[Video]	
Compression method	Simultaneous Dual Codec (H.264 / MJPEG)
Resolution	1,920 x 1,080@30fps
Multi-Profile Streaming	5 simultaneous video profiles
Intelligent Bit-rate	Hybrid Bit Rate control (VBR+CBR)
PTZ	Digital PTZ & Video crop
[Network]	
Network Protocol	IPv4, TCP, UDP, IGMP, ICMP, ARP, RARP, PPPoE, RTCP, RTP, RTSP, SDP, HTTP, HTTPS, SMTP, FTP, DHCP, UPnP, NTP, DNS, DynDNS
[External Terminals]	
Alarm input / output	Alarm I/O (1 Sensor input & 1 Relay output)
Other	MIC, Line in / Line out / DC 12V in
[System Integration]	
Alarm Triggers	Motion Detection + Sensor Input + Audio Detection
Alarm Events	Video file upload(FTP), Still image(Email), Relay output
Alarm Buffer	configurable Pre-alarm (5~15 sec) & Post-alarm (10~60 sec)
[Operating Environment, Power, Dimensions]	
Operating Temperature	-10°C ~ 50°C
Operating Humidity	8 ~ 80% RH
Power	DC 12V, 0.6A, PoE
Dimensions	Camera : Ø26.7mm x 73.8mm Encoder Box : 45.6mm x 25mm x 114mm
Weight	Camera : 390g Encoder: 115g