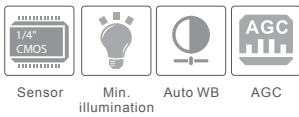


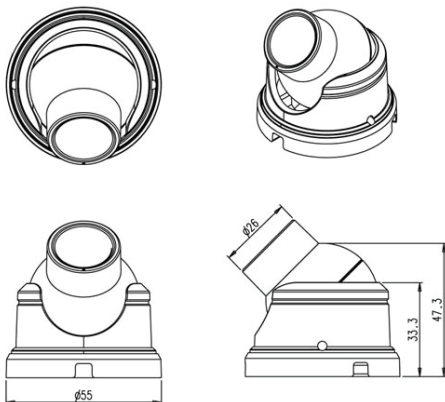
Full HD Mini Golf ball IP Camera



Features

- Full HD Mini Golf ball IP Camera
- 1/3" Progressive scan CMOS Sensor
- Dual-Codec (H.264/MJPEG)
- Progressive scan megapixel (2M CMOS)
- Multi profile streaming
(5 different streams per Resolution, Frame, Rate, Codec)
- Digital PTZ, video crop
- Two-way audio communication
- Compact design & Easy installation
- IP66 (Camera portion only)
- Wi-Fi (WLAN adapter with USB)

Dimensions



Specifications

Model	KB-NS24
[Camera]	
Image Sensor	Progressive scan 1/3 inch CMOS 2M pixels
Full resolution	1,920 x 1,080 pixels (Full HD)
Lens	3.6mm, F1.8
Day & Night	AUTO, DAY, NIGHT
Sensitivity	Dark Hunter Max - 0.0005 Lux
White Balance	ATW(2,000 K ~ 10,000 K)/ MANUAL / PUSH
Exposure	ESC
WDR	ON / OFF
3D-DNR	0 ~ 20
Dark Hunter	AUTO ON (Max.X32) / OFF
DEFOG	ON / OFF
[Video]	
Compression method	Simultaneous Dual Codec (H.264 / MJPEG)
Resolution	1,920 x 1,080@30fps
Multi-Profile Streaming	5 simultaneous video profiles
Intelligent Bit-rate	Hybrid Bit Rate control (VBR+CBR)
PTZ	Digital PTZ & Video crop
[Network]	
Network Protocol	IPv4, TCP, UDP, IGMP, ICMP, ARP, RARP, PPPoE, RTCP, RTP, RTSP, SDP, HTTP, HTTPS, SMTP, FTP, DHCP, UPnP, NTP, DNS, DynDNS
Wireless LAN	Ralink RT5372, 2 PCB antennas with diversity functionally
[External Terminals]	
Audio	MIC, Line in / Line out
[System Integration]	
Alarm Triggers	Motion Detection + Sensor Input + Audio Detection
Alarm Events	Video file upload(FTP), Still image(Email)
Alarm Buffer	configurable Pre-alarm (5~15 sec) & Post-alarm (10~60 sec)
[Operating Environment, Power, Dimensions]	
Operating Temperature	-10°C ~ 50°C
Operating Humidity	8 ~ 80% RH
Power	DC 12V, 0.5A
Dimensions	Camera : Ø54.5mm x 48mm Encoder Box : 45.6mm x 25mm x 114mm
Weight	Camera : 125g Encoder Box: 115g