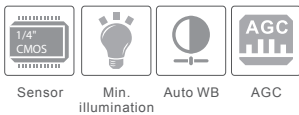


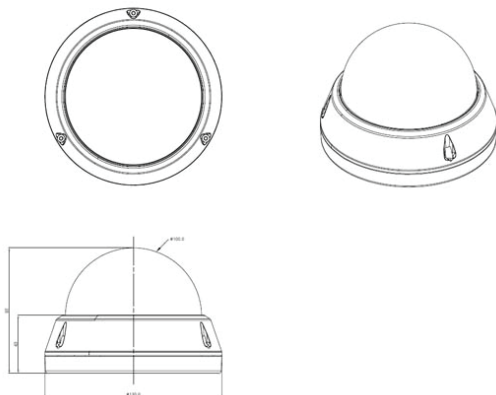
Full HD Vandal Dome IP Camera



Features

- HD 60frame Vandal-Dome IP Camera
- 1/3" Progressive scan CMOS Sensor
- Dual-Codec (H.264/MJPEG)
- Progressive scan megapixel (1.3M CMOS)
- Multi profile streaming
(5 different streams per Resolution, Frame, Rate, Codec)
- Digital PTZ, video crop
- Analog video output (CVBS)
- Built-in standard PoE
- Two-way audio communication
- Compact design & Easy installation
- Vandal proof, Weather proof (IP66)

Dimensions



Specifications

Model	KB-NV12
[Camera]	
Image Sensor	Progressive scan 1/3 inch CMOS 1.3M pixels
Full resolution	1,280 x 720 pixels(HD)
Lens	3.5 ~ 16 mm (Optional 2.8 ~ 11mm)
Day & Night	AUTO, DAY ,NIGHT
Sensitivity	Dark Hunter Max - 0.0005 Lux
White Balance	ATW(2,000 K ~ 10,000 K)/ MANUAL / PUSH
Exposure	DC/ ESC
WDR	ON / OFF
3D-DNR	0~20
Dark Hunter	AUTO ON (Max X128) / OFF
DEFOG	ON / OFF
[Video]	
Compression	H.264 / MJPEG
Resolution	1,280 x 720@60fps
Multi-Profile Streaming	5 Simultaneous video profiles
Intelligent Bit-rate	Hybrid Bit rate control (VBR+CBR)
PTZ	Digital PTZ & Video crop
[Network]	
Network Protocol	IPv4, TCP, UDP, IGMP, ICMP, ARP, RARP, PPPoE, RTCP, RTP, RTSP, SDP, HTTP, HTTPS, SMTP, FTP, DHCP, UPnP, NTP, DNS, DynDNS
[External Terminals]	
Analog output	1 channel D1 CVBS output of the encoding video
Alarm input / output	Alarm I/O (1 Sensor input & 1 Relay output)
Other	MIC, Line in / Line out / DC 12V in
[System Integration]	
Alarm Triggers	Motion Detection + Sensor Input + Audio Detection
Alarm Events	Video file upload(FTP), Still image(Email), PTZ preset, Relay output
Alarm Buffer	configurable Pre-alarm (5~15 sec) & Post-alarm (10~60 sec)
[Operating Environment, Power, Dimensions]	
Operating Temperature	-10°C ~ 50°C
Operating Humidity	8 ~ 80% RH
Power	DC 12V, 0.6A, PoE
Dimensions	Ø100mm x 92mm
Weight	1kg