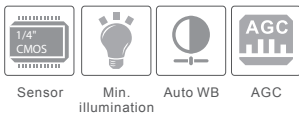


## Full HD IP Mega-pixel TDN Dome Camera

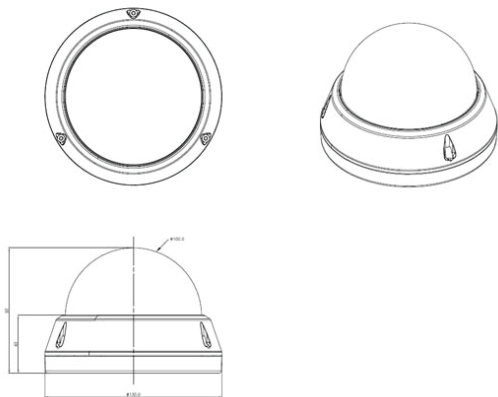
## Specifications



## Features

- H.264MP IP Camera
- 1/3" Progressive scan CMOS Sensor
- H.264MP/H.264/MJPEG
- Progressive scan megapixel (2.47M CMOS)
- Motorized Focus & Zoom Lens
- Multi profile streaming  
(5 different streams per Resolution, Frame, Rate, Codec)
- Digital PTZ, video crop
- Analog video output (CVBS)
- Built-in standard PoE
- Two-way audio communication
- Dark Hunter + Super IR LED
- Compact design & Easy installation
- Vandal proof, Weather proof (IP66)

## Dimensions



Model	KB-NV24
<b>[Camera]</b>	
Image Sensor	Progressive scan 1/3 inch CMOS 2.47M pixels(Total)
Full resolution	1,956 x 1,266 pixels (Full HD), Total
Lens	4mm Fixed
Day & Night	AUTO, DAY ,NIGHT
Sensitivity	Color : to 0.05 Lux, B/W : 0Lux(IR ON)
White Balance	ATW(2.000K ~ 10,000K)/ MANUAL / PUSH
Exposure	DC / ESC
WDR	ON / OFF
3D-DNR	0 ~ 20
Dark Hunter	AUTO ON (Max. x32) / OFF
DEFOG	ON / OFF
Super IR LED	2EA
<b>[Video]</b>	
Compression method	H.264MP/H.264 / MJPEG
Resolution	1,956 x 1,266@30fps
Multi-Profile Streaming	5 simultaneous video profiles
Intelligent Bit-rate	Hybrid Bit Rate control (VBR+CBR)
PTZ	Digital PTZ & Video crop
<b>[Network]</b>	
Network Protocol	IPv4, TCP, UDP, IGMP, ICMP, ARP, RARP, PPPoE, RTCP, RTP, RTSP, SDP, HTTP, HTTPS, SMTP, FTP, DHCP, UPnP, NTP, DNS, DynDNS
<b>[External Terminals]</b>	
Analog output	1 channel D1 CVBS output of the encoding video
Alarm input / output	Alarm I/O (1 Sensor input & 1 Relay output)
Other	MIC, Line in / Line out / DC 12V in
<b>[System Integration]</b>	
Alarm Triggers	Motion Detection + Sensor Input + Audio Detection
Alarm Events	Video file upload(FTP), Still image(Email), Relay output
Alarm Buffer	configurable Pre-alarm (5~15 sec) & Post-alarm (10~60 sec)
<b>[Operating Environment, Power, Dimensions]</b>	
Operating Temperature	-10°C ~ 50°C
Operating Humidity	8 ~ 80% RH
Power	DC 12V, 0.6A
Dimensions	Camera : Ø100mm x 92mm
Weight	1kg (2lbs)