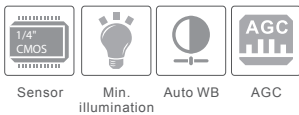


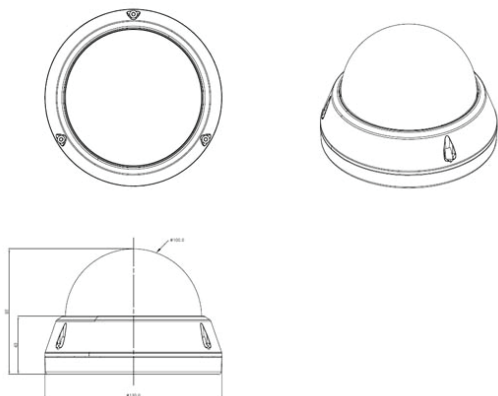
5MP H.265 Dome IR IP Camera



Features

- 5MP H.265 Dome IR IP Camera
- 1/1.8" Progressive scan CMOS Sensor
- Multi Codec (H.264/H.265/MJPEG)
- Progressive scan megapixel (5M CMOS)
- Multi profile streaming
(5 different streams per Resolution, Frame, Rate, Codec)
- Digital PTZ, video crop
- Analog video output (CVBS)
- Built-in standard PoE
- Two-way audio communication
- Build-in D/N (TDN), Super IR LED
- Compact design & Easy installation
- Vandal proof, Weather proof (IP66)

Dimensions



Specifications

Model	KB-NV52
[Camera]	
Image Sensor	Progressive scan 1/1.8 inch CMOS 5M pixels
Full resolution	2,592 x 1,944 pixels (5M)
Min. illumination	0.5Lux (Color), 0.5 Lux (IR LED On)
S/N Ratio	50dB or more
White Balance	AWB
DSS	Supported
WDR	Supported
Lens	3.6 ~ 10mm Varifocal
Day & Night	Supported (TDN, IR LED)
Super IR LED	2EA
[Video]	
Compression method	Multi Codec (H.265 / H.264 / MJPEG)
Resolution	2,592 x 1,944@30fps
Multi-Profile Streaming	5 simultaneous video profiles
Intelligent Bit-rate	Hybrid Bit Rate control (VBR+CBR)
PTZ	Digital PTZ & Video crop
[Network]	
Network Protocol	IPv4, TCP, UDP, IGMP, ICMP, ARP, RARP, PPPoE, RTCP, RTP, RTSP, SDP, HTTP, HTTPS, SMTP, FTP, DHCP, UPnP, NTP, DNS, DynDNS
[External Terminals]	
Analog output	1 channel D1 CVBS output of the encoding video
Alarm input / output	Alarm I/O (1 Sensor input & 1 Relay output)
Other	MIC, Line in / Line out / DC 12V in
[System Integration]	
Alarm Triggers	Motion Detection + Sensor Input + Audio Detection
Alarm Events	Video file upload(FTP), Still image(Email), Relay output
Alarm Buffer	configurable Pre-alarm (5~15 sec) & Post-alarm (10~60 sec)
[Operating Environment, Power, Dimensions]	
Operating Temperature	-10°C ~ 50°C
Operating Humidity	8 ~ 80% RH
Power	DC 12V, 0.6A
Dimensions	Ø100mm x 92mm
Weight	1Kg