

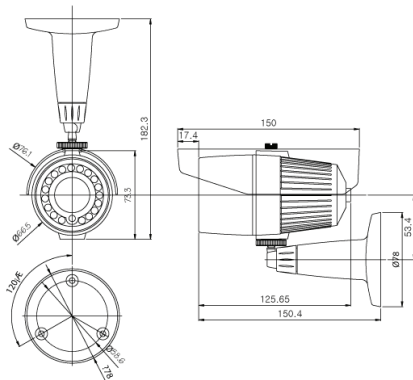
High Definition Mega Pixels HD-SDI Camera Specifications



Features

- High Definition Mega Pixels HD-SDI Camera
- 1/3" Progressive scan CMOS Sensor
- Max. 1920(H) x 1080(V) Full HD 2.0 Mega Pixels
- Fixed Lens (f=3.5mm)
- Built-in IR LEDs(34EA), TDN(ICR), DSS, OSD
- Excellent low light sensitivity 0.01Lux (DSS On)
- D.WDR, 3D-DNR, BLC, Digital Zoom (Max. 20x)
- Motion Detection, Privacy Zone, Mirror Function
- Non Compression digital streaming up to 1.5Gbps
- 1CH CVBS output support
- RS-485 (Pelco-D) Protocol
- Weather-proof Housing, IP66
- 12VDC

Dimensions



Model	KB-WC2
[Camera]	
Signal System	Progressive image processing
Scanning System	16:9 Progressive
Image Sensor	1/3" Progerssive CMOS Sensor
Effective Pixels Number	1920 (H) x 1080 (V) 2 Mega
Horizontal Resolution	1,100TVL(16:9 Chart/1920 x 1080)
Video Output Level	Digital Output HD-SDI Select NTSC/PAL 1.0Vp-p (BNC 75Ω, composite)
SDI Output	SMPTE 292M (1.485Gbps) : 1920X1080 @25, 30 / 800mVp-p, 75Ω, unbalanced generator (single-ended)
Lens	Fixed Lens (f=3.5mm, F 2.5)
Digital Slow Shutter	Off/ ~120x FLD
Day & Night Type	Electronic Sensitivity-up(DSS), ICR(AGC Type)
IR LED	IR LED 34EA (850nm, 45°), Sensor 1EA, Max. 30m
Min. Illumination	0.01Lux (DSS On, B/W), (F1.2, 30IRE), 0.00Lux (IR LED On)
Digital Noise Reduction	3D-DNR(Low, Middle, High, Off)
D. WDR	On/Off
White Balance	ATW(1,800 K ~10,500 K) MANUAL / PUSH
OSD	ENGLISH
HLC, BLC	On/Off (Programmable Zone)
D-Effect	Shading, ACR, Defog
Communication	PELCO-D (2400~38400bps)
Shutter Speed	NTSC : 1/2 ~ 1/48,000 / PAL : 1/2 ~ 1/50,000
[SDI]	
HD Format	1920 x 1080P, 1280x720P @25, 30/ YCbCr 4:2:2 16bit 74.25MHz
SDI Output	SMPTE 292M (1.485Gbps) : 1920X1080 @25, 30 800mVp-p, 75Ω, unbalanced generator (single-ended)
[CVBS]	
NTSC/PAL	1CH Video BNC Out, Analog Composite(1V±0.2Vp-p)
[Mechanical]	
Supplied Voltage	DC9V~15V (Recommendation DC12V ±10%)
Power Consumption	Max. 3.5W / 290mA
Dimensions	78.0 x 150.0mm
Weight	Approx. 800g