

KX-CAi7104TH1

4 Channel 1080N Smart 1U 1HDD DVR

Design and specifications are subject to change without notice. Pictures in the document are for reference only, and the actual product shall prevail.



- H.265+/H.265 dual-stream video compression
- Supports Full-channel AI-Coding
- Supports HDCVI/AHD/TVI/CVBS/IP video inputs
- Max 5 channels IP camera inputs, each channel up to 2MP;
- Max 32 Mbps incoming bandwidth
- Up to 4 channels video stream (analog channel) SMD Plus



System	
Main Processor	Embedded processor
Operating System	Embedded linux
SMD Plus	
Performance	4 channels
AI Search	Search by target classification (Human, Vehicle)
Video and Audio	
Analog Camera Input	4 channels, BNC
HDCVI Camera Input	1080p@25/30 fps, 720p@50/60 fps, 720p@25/30 fps
AHD Camera Input	1080p@ 25/30 fps, 720p@ 25/30 fps
TVI Camera Input	1080p@25/30 fps, 720p@25/30 fps
CVBS Camera Input	PAL/NTSC
IP Camera Input	4+1 channels, each channel up to 2MP
Audio In/Out	1/1, RCA
Two-way Talk	Reuse audio in/out, RCA
Recording	
Compression	AI Coding/H.265+/H.265/H.264+/H.264
Resolution	1080N; 720p; 960H; D1; CIF
Record Rate	Main Stream: 4-channel: All channels 1080N/720p/960H/D1/CIF/(1 fps–25/30 fps) Sub stream: 4-channel: CIF/(1 fps–15 fps)
Bit Rate	32 kbps–6144 kbps per channel
Record Mode	Manual; Schedule (General, Continuous); MD (Video detection: Motion Detection, Video Loss, Tampering); Alarm; Stop
Record Interval	1 min– 60 min (default: 60 min), Pre-record: 1 s–30 s, Post-record: 10 s–300 s
Audio Compression	G.711A; G.711U; PCM
Audio Sample Rate	8 KHz, 16 bit per channel
Audio Bit Rate	64 kbps per channel
Display	
Interface	1 HDMI; 1 VGA
Resolution	1920 × 1080, 1280 × 1024, 1280 × 720

Multi-screen Display	When IP extension mode not enabled: 1/4 When IP extension mode enabled: 1/4/6
OSD	Camera title; Time; Video loss; Camera lock; Motion detection; Recording
Network	
Interface	1 RJ-45 Port (100 Mbps)
Network Protocol	HTTP; HTTPS; TCP/IP; IPv4/IPv6; Wi-Fi; 3G/4G; SNMP; UPnP; RTSP; UDP; SMTP; NTP; DHCP; DNS; IP Filter; PPPoE; DDNS; FTP; Alarm Server; P2P; IP Search (Supports KBVISION IP camera, DVR, NVS, etc.)
Max. User Access	128 users
Smart Phone	iPhone; iPad; Android
Interoperability	ONVIF 16.12, CGI Conformant
Video Detection and Alarm	
Trigger Events	Recording; PTZ; Tour; Video Push; Email; FTP; Snapshot; Buzzer and Screen Tips
Video Detection	Motion Detection, MD Zones: 396 (22 × 18), Video Loss, Tampering and Diagnosis
Alarm input	N/A
Relay Output	N/A
Playback and Backup	
Playback	1/4
Search Mode	Time/Date, Alarm, MD and Exact Search (accurate to second)
Playback Function	Play; Pause; Stop; Rewind; Fast play; Slow Play; Next File; Previous File; Next Camera; Previous Camera; Full Screen; Repeat; Shuffle; Backup Selection; Digital Zoom
Backup Mode	USB Device/Network
Storage	
Internal HDD	1 SATA port, up to 6 TB capacity
eSATA	N/A
Auxiliary Interface	
USB	2 USB ports (USB 2.0)
RS485	N/A
RS232	N/A
Electrical	

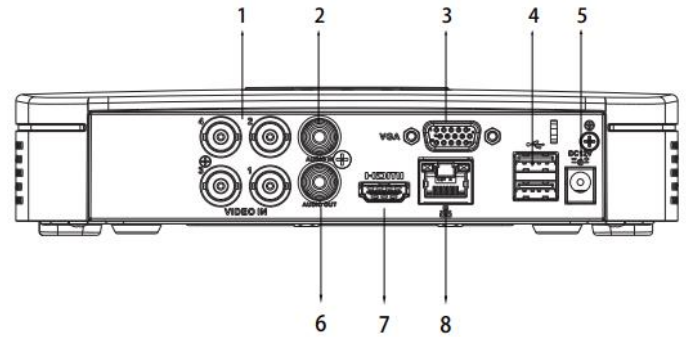
KX-CAi7104TH1

4 Channel 1080N Smart 1U 1HDD DVR

Design and specifications are subject to change without notice. Pictures in the document are for reference only, and the actual product shall prevail.

Power Supply	DC 12V/1.5A
Power Consumption (Without HDD)	< 4W
Construction	
Dimensions	Smart 1U, 204.6 mm × 210.9 mm × 45.6 mm (8.06" × 8.30" × 1.80")
Net Weight (without HDD)	0.47 kg (1.03lb)
Gross Weight	1.04 kg (2.30 lb)
Installation	Desktop installation
Environmental	
Operating Conditions	-10°C to +45°C (+14°F to +113°F), 0%–90% (RH)
Storage Conditions	-20°C to +70°C (-4°F to +158°F), 0%–90% (RH)
Third-party Support	
Third-party Support	Dahua, Arecont Vision, AXIS, Bosch, Brickcom, Canon, CP Plus, Dynacolor, Honeywell, Panasonic, Pelco, Samsung, Sanyo, Sony, Videotec, Vivotek, and more

Panels



- | | |
|---------------|----------------------------|
| 1 VIDEO IN | 2 AUDIO IN, RCA Connector |
| 3 VGA Port | 4 USB Ports |
| 5 Power Input | 6 AUDIO OUT, RCA Connector |
| 7 HDMI Port | 8 Network Port |