

KX-CAi7108TH1

8 Channel Penta-brid 1080N/720p DVR

Design and specifications are subject to change without notice. Pictures in the document are for reference only, and the actual product shall prevail.



- H.265+/H.265 dual-stream video compression
- Supports Full-channel AI-Coding
- Supports HDCVI/AHD/TVI/CVBS/IP video inputs
- Max 10 channels IP camera inputs, each channel up to 6MP; Max 32 Mbps incoming bandwidth
- Up to 8 channels video stream (analog channel) SMD Plus



System	
Main Processor	Embedded processor
Operating System	Embedded linux
SMD Plus	
Performance	8 channels
AI Search	Search by target classification (Human, Vehicle)
Video and Audio	
Analog Camera Input	8 channels, BNC
HDCVI Camera Input	1080p@ 25/30 fps, 720p@ 25/30 fps
AHD Camera Input	1080p@ 25/30 fps, 720p@ 25/30 fps
TVI Camera Input	1080p@25/30 fps, 720p@25/30 fps
CVBS Camera Input	PAL/NTSC
IP Camera Input	8+2 channels, each channel up to 6MP
Audio In/Out	1/1, RCA
Two-way Talk	Reuse audio in/out, RCA
Recording	
Compression	AI Coding/H.265+/H.265/H.264+/H.264
Resolution	1080N; 720p; 960H; D1; HD1; BCIF; CIF
Record Rate	Main Stream: 8-channel: the 1st channel 1080N/720p(1 fps–25/30 fps), others 1080N/720p(1 fps–15fps); 960H/D1/CIF/(1 fps–25/30 fps) Sub stream: 8-channel: CIF (1fps–7 fps)
Bit Rate	32 kbps–6144 kbps per channel
Record Mode	Manual; Schedule (General, Continuous); MD (Video detection: Motion Detection, Video Loss, Tampering); Alarm; Stop
Record Interval	1 min– 60 min (default: 60 min), Pre-record: 1 s–30 s, Post-record: 10 s–300 s
Audio Compression	G.711A; G.711U; PCM
Audio Sample Rate	8 KHz, 16 bit per channel
Audio Bit Rate	64 kbps per channel
Display	
Interface	1 HDMI; 1 VGA

Resolution	1920 × 1080, 1280 × 1024, 1280 × 720
Multi-screen Display	When IP extension mode not enabled: 1/4/8/9 When IP extension mode enabled: 1/4/8/9/16
OSD	Camera title; Time; Video loss; Camera lock; Motion detection; Recording
Network	
Interface	1 RJ-45 Port (100 Mbps)
Network Protocol	HTTP; HTTPS; TCP/IP; IPv4/IPv6; Wi-Fi; 3G/4G; SNMP; UPnP; RTSP; UDP; SMTP; NTP; DHCP; DNS; IP Filter; PPPoE; DDNS; FTP; Alarm Server; P2P; IP Search (Supports KBVISION IP camera,DVR, NVS, etc.)
Max. User Access	128 users
Smart Phone	iPhone; iPad; Android
Interoperability	ONVIF 16.12, CGI Conformant
Video Detection and Alarm	
Trigger Events	Recording, PTZ, Tour, Video Push, Email, FTP, Snapshot, Buzzer and Screen Tips
Video Detection	Motion Detection, MD Zones: 396 (22 × 18), Video Loss, Tampering and Diagnosis
Alarm input	N/A
Relay Output	N/A
Playback and Backup	
Playback	1/4/9
Search Mode	Time/Date; Alarm; MD and Exact Search (accurate to second)
Playback Function	Play; Pause; Stop; Rewind; Fast play; Slow Play; Next File; Previous File; Next Camera; Previous Camera; Full Screen; Repeat; Shuffle; Backup Selection; Digital Zoom
Backup Mode	USB Device/Network
Storage	
Internal HDD	1 SATA port, up to 6 TB capacity
eSATA	N/A
Auxiliary Interface	
USB	2 USB ports (USB 2.0)
RS485	N/A
RS232	N/A

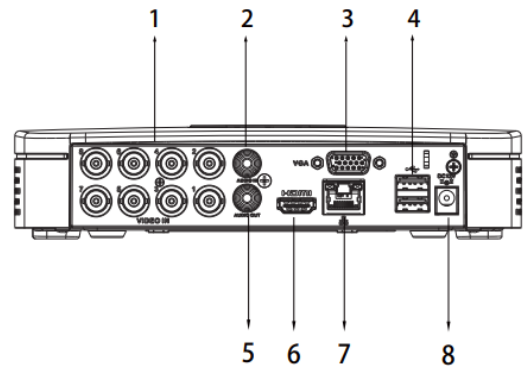
KX-CAi7108TH1

8 Channel Penta-brid 1080N/720p DVR

Design and specifications are subject to change without notice. Pictures in the document are for reference only, and the actual product shall prevail.

Electrical	
Power Supply	DC 12V/1.5A
Power Consumption (Without HDD)	< 7W
Construction	
Dimensions	Smart 1U, 204.6 mm × 210.9 mm × 45.6 mm (8.06" × 8.30" × 1.80")
Net Weight (without HDD)	0.50 kg (1.10 lb)
Gross Weight	1.07 kg (2.36 lb)
Installation	Desktop installation
Environmental	
Operating Conditions	-10°C to +45°C (+14°F to +113°F), 0%–90% (RH)
Storage Conditions	-20°C to +70°C (-4°F to +158°F) , 0%–90% (RH)
Third-party Support	
Third-party Support	Dahua, Arecont Vision, AXIS, Bosch, Brickcom, Canon, CP Plus, Dynacolor, Honeywell, Panasonic, Pelco, Samsung, Sanyo, Sony, Videotec, Vivotek, and more

Panels



- | | |
|----------------------------|---------------------------|
| 1 VIDEO IN | 2 AUDIO IN, RCA Connector |
| 3 VGA Port | 4 USB Ports |
| 5 AUDIO OUT, RCA Connector | 6 HDMI Port |
| 7 Network Port | 8 Power Input |