

KX-D4K8432N3

32 Channel 1.5U 4HDDs 4K & H.265 NVR

Design and specifications are subject to change without notice. Pictures in the document are for reference only, and the actual product shall prevail.

- 32-channel IP video access
- Smart H.265+/Smart H.264+/H.265/H.264/MJPEG; H.265 auto switch
- Max 320 Mbps incoming bandwidth
- Up to 24MP resolution for live view and playback
- 1-channel fisheye dewarping (AI by NVR)
- AI by Camera: Perimeter protection; face detection and recognition; SMD Plus; video metadata; ANPR; people counting; stereo analysis; crowd distribution; heat map



System	
Main Processor	Industrial embedded micro-processor
Operating System	Embedded Linux
Operation Interface	Web; local GUI
Perimeter Protection by Camera	
Performance	20 channels
AI Search	Search for pictures by channel, time and event type
Face Recognition by Camera	
Performance	14 channels
Face Attributes	6 attributes: Gender; age; glasses; expression; mouth mask; beard
AI Search	Search for pictures by channel, time and face attributes
SMD Plus by Camera	
Performance	32 channels
AI Search	Search by target classification (human, vehicle)
Video Metadata by Camera	
Performance	16 channels
Human Body	Top; top color; bottom; bottom color; hat; bag; gender; age; umbrella
Vehicle	Plate No.; type; color; vehicle type; logo; plate color; ornament; calling; seatbelt; region
Non-motor Vehicle	Type; color; number of passengers; helmet
AI Search	Supports searching for target video by metadata
ANPR by Camera	
Performance	4 channels
Stereo Analysis by Camera	
Performance	16 channels

AI Search	Search by target classification (fall detection; people approach detection; people No. exception detection; people staying detection; violence detection)
Video	
Access Channel	32
Network Bandwidth	320 Mbps for access, 320 Mbps for storage and 320 Mbps for forwarding
Resolution	12MP, 8MP, 6MP, 5MP, 4MP, 3MP, 1080p, 1.3MP, 720p, D1, and more
Decoding Capability	16-channel@1080P (30 fps)
Video Output	HDMI1: 3840 × 2160; 1920 × 1080; 1280 × 1024; 1280 × 720 VGA1: 1920 × 1080; 1280 × 1024; 1280 × 720 HDMI2/VGA2: 1920 × 1080 VGA1/HDMI1 homologous output, VGA2/HDMI2 homologous output, and VGA1/HDMI1 and VGA2/HDMI2 supports heterogeneous output
Multi-screen Display	1st Screen: 32-channel: 1/4/8/9/16/25/36 2nd screen: 1/4/8/9/16
Third Party Camera Access	Panasonic, Sony, Samsung, Axis, Pelco, Arecont, ONVIF, Canon and more
Compression	
Video	Smart H.265+; Smart H.264+; H.265; H.264; MJPEG
Audio	PCM; G.711A; G.711U; G.726
Network	
Network Protocol	HTTP; HTTPS; TCP/IP; IPv4/IPv6; UPnP; SNMP; RTSP; UDP; SMTP; NTP; DHCP; DNS; IP Filter; PPPoE; DDNS; FTP; Alarm Server; IP Search (Supports KBVISION IP camera, DVR, NVS, andmore.); P2P
Mobile Phone Access	Android; iOS
Interoperability	ONVIF (profile T/S/G); CGI; SDK
Browser	Chrome; IE9 or later; Firefox

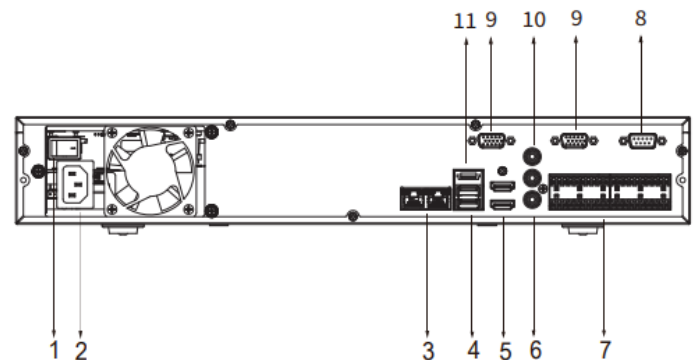
KX-D4K8432N3

32 Channel 1.5U 4HDDs 4K & H.265 NVR

Design and specifications are subject to change without notice. Pictures in the document are for reference only, and the actual product shall prevail.

Record Playback	
Multi-channel Playback	1/4/9/16
Record Mode	Manual; schedule (general; MD; alarm; MD & alarm; intelligent; POS)
Storage Method	Local HDD and network
Backup	USB device
Playback Function	1. Play; pause; stop; fast forward; fast backward; rewind; play by frame 2. Full screen; backup (cut/file) ; partially enlarge; audio on/off
Storage	
Disk Group	Yes
Alarm	
General Alarm	Motion detection; privacy masking; video loss; local alarm; PIR alarm; IPC alarm
Anomaly Alarm	Camera offline; storage error; full storage; IP conflict; MAC conflict; login lock; network security anomaly
Intelligent Alarm	Perimeter protection; face detection; face recognition; SMD; video metadata (human; motor-vehicle; non-motor vehicle) ; ANPR; people counting; stereo analysis; crowd distribution; heat map
Alarm Linkage	Record; snapshot; IPC external alarm output; buzzer; log; preset; email
External Port	
Audio Input	1 channel, RCA connector
Audio Output	2 channels, RCA connector, which supports voice intercom output
HDD	4 SATA III ports, up to 10 TB for a single HDD. The maximum HDD capacity varies with environment temperature
Alarm Input	16 channels
Alarm Output	6 channels
eSATA	1 eSATA
RS-232	1 channel, used to debug and pass through serial data
RS-485	1 channel, used to control PTZ, and it supports multiple protocols
USB	1 front USB 2.0 port, 2 rear USB 3.0 ports
HDMI	2

VGA	2
Network	2 RJ-45 10/100/1000 Mbps self-adaptive Ethernet ports
General Parameter	
Power Supply	Single, 100V–240V AC, 50 Hz–60 Hz
Power Consumption	< 16.7W (without HDD)
Net Weight	4.3 kg (9.5 lb) (without HDD)
Gross Weight	7 kg (15.4 lb) (without HDD)
Product Dimensions	440 mm × 412.2 mm × 76.0 mm (17.3" × 16.2" × 3.0")
Package Dimensions	522 mm × 492 mm × 200 mm (20.6" × 19.4" × 7.9")
Operating Temperature	-10°C to +55°C (+14°F to +131°F)
Storage Temperature	0°C to +40°C (+32°F to +104°F)
Operating Humidity	10%–93% (RH)
Storage Humidity	30%–85% (RH)
Operating Altitude	3,000 m (9,843 ft)
Panels	



- | | |
|-----------------|-----------------------------|
| 1 Power Switch | 2 Power Input |
| 3 Network Ports | 4 USB Ports |
| 5 HDMI Ports | 6 AUDIO IN, RCA Connector |
| 7 Alarm In/Out | 8 RS-232 Port |
| 9 VGA Ports | 10 AUDIO OUT, RCA Connector |
| 11 eSATA Port | |