

# KX-E2011SN2

## 2MP Covert Pinhole Network Camera-Main Box

Design and specifications are subject to change without notice. Pictures in the document are for reference only, and the actual product shall prevail.



- Starlight 2MP 1/2.8" CMOS image sensor, excellent low luminance performance and high definition of images.
- Outputs max. 2MP (1920 × 1080)@25/30 fps.
- H.265 codec allows high compression ratio and ultra-low bit rate.
- ROI, SMART H.264 +/H.265+, flexible coding, applicable to various bandwidth and storage environments.
- Rotation mode, WDR, 3D NR, HLC, BLC, digital watermarking, applicable to various monitoring scenes.
- Intelligent detection: Intrusion, tripwire, fast moving (the three functions support the classification and accurate detection of vehicle and human); abandoned object, missing object, loitering detection, people gathering, and face detection.
- Abnormality detection: Motion detection, privacy masking, scene changing, audio detection, no SD card, SD card space warning, SD card error, network disconnection, IP conflict, illegal access, and voltage detection.
- Alarm: 2 in, 2 out; audio: 1 in, 1 out; RS-232; max. 256 G Micro SD card.
- 12V DC/PoE power supply facilitates installation.
- Multiple lens unit optional; require a lens unit to work together

Camera																
Image Sensor	1/2.8" 2 Megapixel progressive CMOS															
Max. Resolution	1920 (H) × 1080 (V)															
ROM	128 MB															
RAM	512 MB															
Scanning System	Progressive															
Electronic Shutter Speed	Auto/Manual 1/3 s–1/100,000 s															
Min. Illumination	0.005 Lux@F2.0 (Color,30 IRE) 0.0005 Lux@F2.0 (B/W,30 IRE)															
S/N Ratio	> 56 dB															
Lens																
Lens Type	Fixed-focal															
Lens Mount	M12															
Focal Length	2.8 mm															
Max. Aperture	2.8 mm: F2.0															
Field of View	L1: Horizontal: 105°; Vertical: 58°; Diagonal: 118° L2: Horizontal: 114°; Vertical: 60°; Diagonal: 136°															
Iris Control	Fixed															
Close Focus Distance	2.8 mm: 0.5 m															
DORI Distance	<table border="1"> <thead> <tr> <th>Lens</th> <th>Detect</th> <th>Observe</th> <th>Recognize</th> <th>Identify</th> </tr> </thead> <tbody> <tr> <td>L1-2.8 mm</td> <td>42.1 m (138.1 ft)</td> <td>16.8 m (55.1 ft)</td> <td>8.4 m (27.6 ft)</td> <td>4.2 m (13.8 ft)</td> </tr> <tr> <td>L2-2.8 mm</td> <td>41.4 m (135.8 ft)</td> <td>16.6 m (54.5 ft)</td> <td>8.3 m (60.0 ft)</td> <td>4.1 m (13.5 ft)</td> </tr> </tbody> </table>	Lens	Detect	Observe	Recognize	Identify	L1-2.8 mm	42.1 m (138.1 ft)	16.8 m (55.1 ft)	8.4 m (27.6 ft)	4.2 m (13.8 ft)	L2-2.8 mm	41.4 m (135.8 ft)	16.6 m (54.5 ft)	8.3 m (60.0 ft)	4.1 m (13.5 ft)
	Lens	Detect	Observe	Recognize	Identify											
	L1-2.8 mm	42.1 m (138.1 ft)	16.8 m (55.1 ft)	8.4 m (27.6 ft)	4.2 m (13.8 ft)											
L2-2.8 mm	41.4 m (135.8 ft)	16.6 m (54.5 ft)	8.3 m (60.0 ft)	4.1 m (13.5 ft)												

Intelligence	
IVS (Perimeter Protection)	Tripwire, intrusion, fast moving (the three functions support the classification and accurate detection of vehicle and human); loitering detection, people gathering, and parking detection
Face Detection	Face detection; track; snapshot; snapshot optimization; optimal face snapshot upload; face enhancement; face exposure; face attribute extraction including 6 attributes (gender, age, glasses, expressions, mask and beard) and 8 expressions (anger, calm, happiness, sadness, disgust, surprise, confusion and fear); face snapshot set as face or one-inch photo; 3 snapshot strategies (real-time snapshot, optimization snapshot, and quality priority); face angle filter; optimization time setting
Smart Search	Work together with Smart NVR to perform refine intelligent search, event extraction and merging to event videos
Video	
Video Compression	H.265; H.264; H.264H; H.264B; MJPEG (only supported by the sub stream)
Smart Codec	Smart H.265+ Smart H.264+
Video Frame Rate	Main stream: 1920 × 1080 @25/30 fps Sub stream: 704 × 576 @25 fps; 704 × 480 @30 fps Third stream: 1920 × 1080 @25/30 fps
Stream Capability	3 streams
Resolution	1080p (1920 × 1080); 1.3M (1280 × 960); 720p (1280 × 720); D1 (704 × 576/704 × 480); VGA (640 × 480); CIF (352 × 288/352 × 240)
Bit Rate Control	CBR/VBR
Video Bit Rate	H.264: 3 kbps–20480 kbps H.265: 3 kbps–20480 kbps
Day/Night	Color/B/W
BLC	Yes
HLC	Yes

# KX-E2011SN2

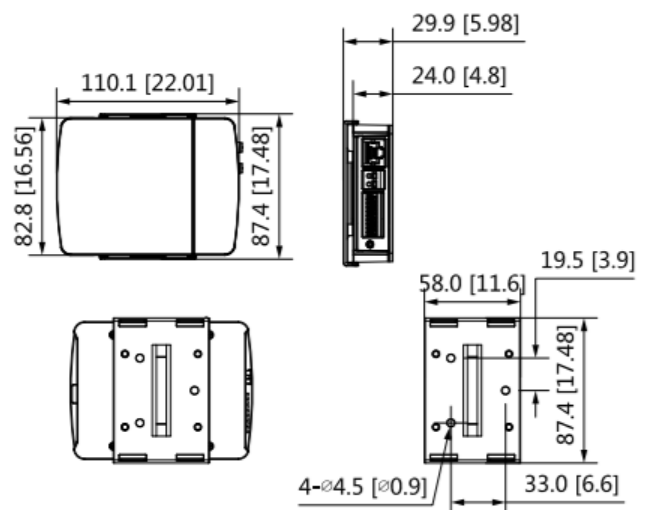
## 2MP Covert Pinhole Network Camera-Main Box

Design and specifications are subject to change without notice. Pictures in the document are for reference only, and the actual product shall prevail.

WDR	120 dB
Scene Self-adaptation	Yes
White Balance	Auto; natural; street lamp; outdoor; manual; regional custom
Gain Control	Manual; auto
Noise Reduction	3D NR
Motion Detection	OFF/ON (4 areas, rectangular)
Region of Interest (RoI)	Yes (4 areas)
Defog	Yes
Image Rotation	0°/90°/180°/270° (support 90°/270° with 1080p resolution and lower)
Mirror	Yes
Privacy Masking	4 areas
<b>Audio</b>	
Audio Compression	G.711a; G.711Mu; PCM; G.726; G.723
<b>Alarm</b>	
Alarm Event	No SD card, SD card full, SD card error, network disconnection, IP conflict, illegal access, motion detection, video tampering, tripwire, intrusion, fast moving, missing object, abandoned object, parking detection, loitering detection, people gathering; scene changing, audio detection, voltage detection, external alarm, face detection, and security exception.
<b>Network</b>	
Network Port	RJ-45 (10/100 Base-T)
SDK and API	Yes
Network Protocol	IPv4; IPv6; HTTP; TCP; UDP; ARP; RTP; RTSP; RTCP; RTMP; SMTP; FTP; SFTP; DHCP; DNS; DDNS; QoS; UPnP; NTP; Multicast; ICMP; IGMP; NFS; SAMBA; PPPoE; SNMP
Interoperability	ONVIF (Profile S/Profile G/Profile T); CGI; P2P; Milestone; Genetec
User/Host	20 (Total bandwidth: 64 M)
Storage	FTP; SFTP; Micro SD card (support max. 256 G); NAS
Browser	IE: IE8, IE9, and IE11 Chrome Firefox
Management Software	KBiVMS, KBView Plus
Mobile Client	IOS; Android
Cyber Security	Video encryption; Firmware encryption; Configuration encryption; Digest; WSSE; Account lockout; Security logs; IP/MAC filtering; Generation and importing of X.509 certification; syslog; HTTPS; 802.1x; Trusted boot; Trusted execution; Trusted upgrade
<b>Port</b>	
Audio Input	1 channel (3.5 mm JACK port)
Audio Output	1 channel (3.5 mm JACK port)

Alarm Input	2 channels in: 5 mA 3V–5V DC
Alarm Output	2 channels out: 1,000 mA 30V DC/500 mA 50V DC
<b>Power</b>	
Power Supply	12V DC/PoE(802.3af)
Power Consumption	Basic: 2.3W (12V DC); 2.8W (PoE) Max. (Intelligence + WDR): 3.7W (12V DC); 4.5W (PoE)
<b>Environment</b>	
Operating Temperature	–40°C to +60°C (–40°F to 140°F)
Operating Humidity	≤95%
Storage Temperature	–40°C to +60°C (–40°F to 140°F)
Protection	IP66 (L3)
<b>Structure</b>	
Casing	Metal
Product Dimensions	Main: 110 mm × 83 mm × 24 mm (4.33" × 3.27" × 0.94") L1: Φ30.5 mm × 48.7 mm (Φ1.20" × 1.92") L2: Φ30.5 mm × 57.6 mm (Φ1.20" × 2.27")
Net Weight	210 g (0.5 lb)
Gross Weight	376 g (0.8 lb)
<b>Accessories (Optional)</b>	
	2MP Covert Pinhole Network Camera-Lens Unit
	2MP Covert Pinhole Network Camera-Lens Unit
<b>Dimensions (mm[inch])</b>	

### Mainbox:

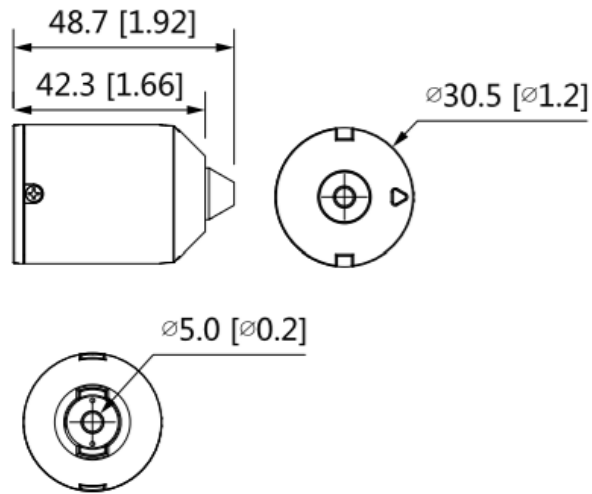


## KX-E2011SN2

### 2MP Covert Pinhole Network Camera-Main Box

Design and specifications are subject to change without notice.  
Pictures in the document are for reference only, and the actual product shall prevail.

L1:



L2:

