

## KX-M22GN-114

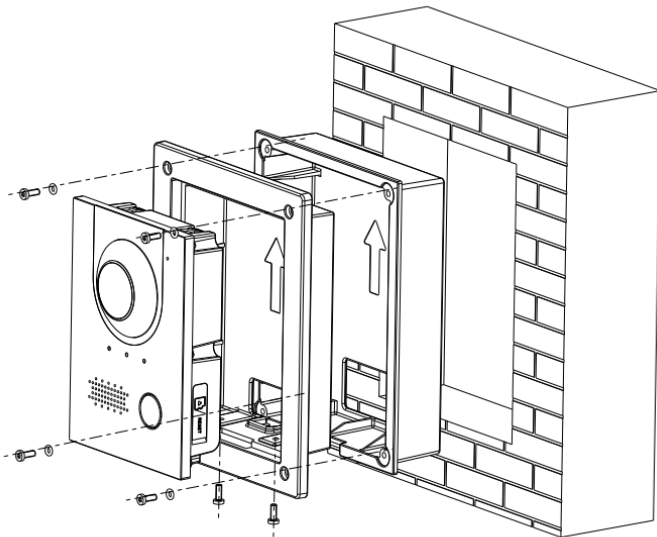
### KX-M22GN-114 + Flush Mounted Box

Design and specifications are subject to change without notice. Pictures in the document are for reference only, and the actual product shall prevail.



- Material: ADC12
- Dimensions (Front): 128.9mm×162.9mm×34.5mm (5.08"×6.42"×1.36")
- Dimensions(rear): 123.0mm×157.0mm×35.0mm (4.84"×6.18"×1.38")
- Wall Opening Dimensions: > 113.0mm×149.0mm×35.0mm (4.45"×5.87"×1.38") , < 123.0mm×157.0mm×35.0mm (4.84"×6.18"×1.38")

#### Installation



**Step1** Install the mounting box rear cover in the wall.

**Step2** Install VTO on the mounting box front cover.

**Step3** Fix the VTO to the mounting box front cover by screwing two M3×8 screws into the VTO from the bottom of the mounting box front cover.

**Step4** Put the mounting box front cover (with VTO) into the mounting box rear cover.

**Step5** Put waterproof rings to the M3×8 screws.

**Step6** Screw four M3×8 screws (with waterproof ring) into the mounting box front cover

#### Dimensions (mm[inch])

